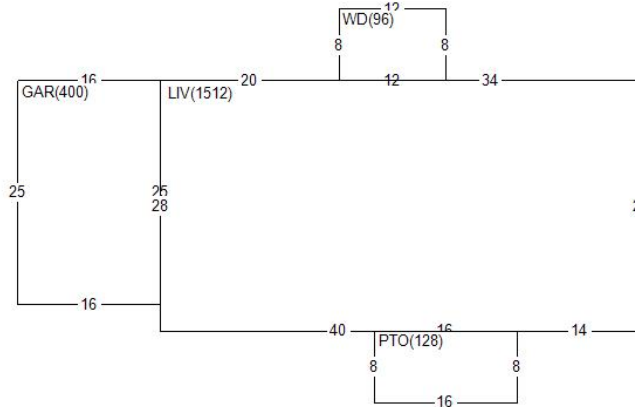


LOT 230 NEW VALMEYER PHASE 4

VALMEYER IL 62295

Site Address: 000112 MILLER CT

BLDG # 1
 Style/Stories 1.0 One Story
 Quality/Design C C-Average
 Building Use 0100 Single Fami
 Exterior Wall F Frame
 WALL % 100 100%
 Exterior Wall 1
 WALL 1% 000 N/A
 Crawl Sp. Adj
 Slab Adjustment
 Basement LC C-Living Qt
 Combination
 Attic Area
 Heat/AC Adj AC Central Air
 Comb Ht/AC Adj
 Fireplace 00 N/A
 Extra Fireplace 00 N/A
 Res Fixtures 0008 08 Fixtures
 Garage F Frame Garag
 Integral Garage
 Remodeling Adj 01 No Remodeli
 Actual Year Blt 1995
 Effect Year Blt 1995
 Cond/Desir/Util A Res CDU - A
 Township Multpl 06 TOWNSHIP #0
 Funct. Obs. % 000000
 Economic Obs. % 000000
 Observed Cond % 000000
 Obs. Cond. Code
 Combination A
 Comb A Ht/AC
 Unfin Low/Level
 Full Basement F Full Baseme
 # Of Bedrooms 03 Three Bedro
 Sq.Ft.Grđ Area 1512



Land Value 26,760
 Misc Value 4,410
 Bldg Value 117,780
 Total Value 148,950
 Value By CAMA

RCN 141,902
 Pct Good 0.8300
 Obsol/Observed 0.0000
 Building Value 117,780

DOCUMENT #	DATE	QS	SALE PRICE
391100	0717	U	118,000
367061	0813	U	69,000
361691	1212	U	

PERMIT NO	TYPE	DATE	AMOUNT
R1-95-16	01	0695	

Appraiser KS K. Sondag
 Apr Date 07/07/22
 Use Code 0040 Imp Res
 NBHD 62000.10 VLMYR 1.0 STORY
 L100 M100 B118

AREA	FLAT	EFF% E/AREA	ACT% A/AREA	EA/AA	HEATED
PTO	128	1.00	128	1.00	128
GAR	400	1.00	400	1.00	400
WD	96	1.00	96	1.00	96
LIV	1512	1.00	1512	1.00	1512
CONDR	1008	1.00	1008	1.00	1008
BSML	144	1.00	144	1.00	144

MISC BLDG CODE	DESC	LENGTH	WIDTH	UNITS	ADJ PRICE	EYB DT PCT	ADJUSTMENT	VALUE
1 1 WD	Wood Deck	8.00	12.00	96.00	19.35	1995 P 32.00	1.00	1,260
2 1 PTO	Concrete Patio	8.00	16.00	128.00	3.65	1995 A 17.00	1.00	390
3 1 CONDR	Concrete Drivewa	63.00	16.00	1008.00	3.65	1995 F 25.00	1.00	2,760

LAND LUSE DESC	ZONING	UNITS TP	PRICE	ADJUSTMENT	CODE/FACTOR	VALUE
1 6200 VALMEYER	VR1	1.00 ST	26760.00	.00	.00 TW 1.00	26,760