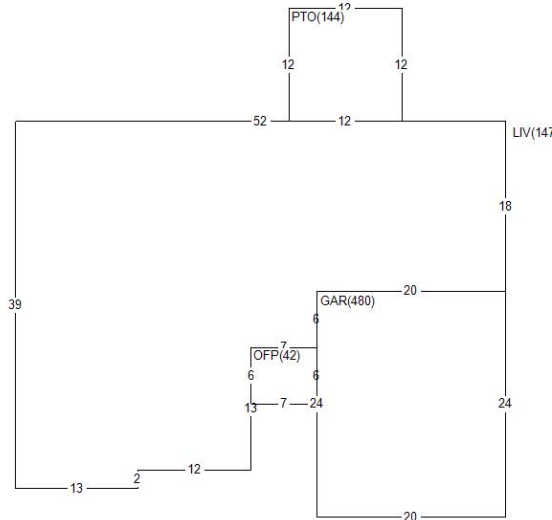


LOT 2 BLUFF MEADOWS

VALMEYER IL 62295
Site Address: 000418 BLUFF MEADOWS DR

BLDG # 1
 Style/Stories 1.0 One Story
 Quality/Design C C-Average
 Building Use 0100 Single Fami
 Exterior Wall F Frame
 WALL % 100 100%
 Exterior Wall 1
 WALL 1% 000 N/A
 Crawl Sp. Adj
 Slab Adjustment
 Basement
 Combination
 Attic Area
 Heat/AC Adj AC Central Air
 Comb Ht/AC Adj
 Fireplace 31 DirectVent
 Extra Fireplace 00 N/A
 Res Fixtures 0010 10 Fixtures
 Garage F Frame Garag
 Integral Garage
 Remodeling Adj 01 No Remodeli
 Actual Year Blt 2012
 Effect Year Blt 2012
 Cond/Desir/Util A Res CDU - A
 Township Multpl 06 TOWNSHIP #0
 Funct. Obs. % 000000
 Economic Obs. % 000000
 Observed Cond % 000000
 Obs. Cond. Code
 Combination A
 Comb A Ht/AC
 Unfin Low/Level
 Full Basement F Full Baseme
 # Of Bedrooms 03 Three Bedro
 Sq.Ft.Grđ Area 1479



Land Value 26,760
 Misc Value 10,350
 Bldg Value 144,620
 Total Value 181,730
 Value By CAMA

RCN 149,088
 Pct Good 0.9700
 Obsol/Observed 0.0000
 Building Value 144,620

DOCUMENT #	DATE	QS	SALE PRICE
396674	0618	Q	182,500
362189	0113	Q	100,000
327289	1108	08	38,057
PERMIT NO	TYPE	DATE	AMOUNT
R2-13-03	02	0713	
R2-08-05	01	1008	

Appraiser KS K. Sondag
 Appr Date 07/20/22
 Use Code 0040 Imp Res
 NBHD 62000.10 VLMYR 1.0 STORY
 L100 M100 B118

AREA	FLAT	EFF%	E/AREA	ACT%	A/AREA	EA/AA	HEATED
LIV	1479	1.00	1479	1.00	1479	1479	1479
Unfin Low/Level	42	1.00	42	1.00	42	42	
Full Basement	144	1.00	144	1.00	144	144	
# Of Bedrooms	480	1.00	480	1.00	480	480	
Sq.Ft.Grđ Area	1036	1.00	1036	1.00	1036	1036	

MISC BLDG CODE	DESC	LENGTH	WIDTH	UNITS	ADJ PRICE	EYB DT PCT	ADJUSTMENT	VALUE
1 1 BRVEN	Brick Veneer	.00	.00	312.00	14.65	2012 E 0.00	1.00	4,570
2 1 OFFP	Open Frame Porch	7.00	6.00	42.00	39.25	2012 A 3.00	1.00	1,600
3 1 PTO	Concrete Patio	12.00	12.00	144.00	3.65	2012 A 3.00	1.00	510
4 1 CONDR	Concrete Drivewa	37.00	28.00	1036.00	3.65	2012 A 3.00	1.00	3,670

LAND LUSE DESC	ZONING	UNITS TP	PRICE	ADJUSTMENT	CODE/FACTOR	VALUE
1 6200 VALMEYER	VR1	1.00 ST	26760.00	TW 1.00	.00 .00	26,760