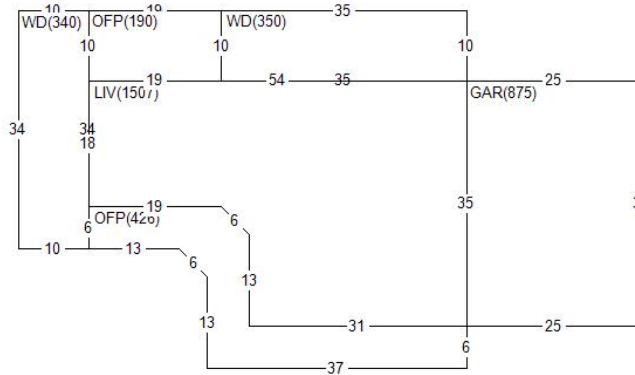


PART LOT 8 & LOT 9 EAGLE CLIFF E STATES

WATERLOO IL 62298  
Site Address: 002332 GOLDEN EAGLE LN

BLDG # 1  
 Style/Stories 1.0 One Story  
 Quality/Design C C-Average  
 Building Use 0100 Single Fami  
 Exterior Wall F Frame  
 WALL % 100 100%  
 Exterior Wall 1  
 WALL 1% 000 N/A  
 Crawl Sp. Adj  
 Slab Adjustment  
 Basement  
 Combination  
 Attic Area  
 Heat/AC Adj AC Central Air  
 Comb Ht/AC Adj  
 Fireplace 00 N/A  
 Extra Fireplace 00 N/A  
 Res Fixtures 0009 09 Fixtures  
 Garage F Frame Garag  
 Integral Garage  
 Remodeling Adj 01 No Remodeli  
 Actual Year Blt 1996  
 Effect Year Blt 1996  
 Cond/Desir/Util A Res CDU - A  
 Township Multpl 06 TOWNSHIP #0  
 Funct. Obs. % 000000  
 Economic Obs. % 000000  
 Observed Cond % 000000  
 Obs. Cond. Code  
 Combination A  
 Comb A Ht/AC  
 Unfin Low/Level  
 Full Basement F Full Baseme  
 # Of Bedrooms 03 Three Bedro  
 Sq.Ft.Grd Area 1507



Land Value 71,130  
 Misc Value 0  
 Bldg Value 78,870  
 Total Value 150,000  
 Value By Override

RCN 268,992  
 Pct Good 0.8400  
 Obsol/Observed 0.0000  
 Building Value 225,950

DOCUMENT #	DATE	QS	SALE PRICE
409328	0720	Q	150,000
408131	0520	U	
400143	0319	U	
PERMIT NO	TYPE	DATE	AMOUNT
8402	00	0596	
8402	01	1195	

Appraiser KS K. Sondag  
 Appr Date 08/02/22  
 Use Code 0040 Imp Res  
 NBHD 709.09 6/7&8 1.0 70/99  
 L100 M100 B207

AREA	FLAT	EFF%	E/AREA	ACT%	A/AREA	EA/AA	HEATED
WD	690	1.00	690	1.00	690	690	
GAR	875	1.00	875	1.00	875	875	
OFF	616	1.00	616	1.00	616	616	
LIV	1507	1.00	1507	1.00	1507	1507	1507

MISC BLDG CODE	DESC	LENGTH	WIDTH	UNITS	ADJ PRICE	EYB DT	PCT	ADJUSTMENT	VALUE
1 1 OFF	Open Frame Porch	.00	.00	426.00	21.59	1996 A	16.00	1.00	7,730
2 1 WD	Wood Deck	34.00	10.00	340.00	19.35	1996 A	16.00	1.00	5,530
3 1 OFF	Open Frame Porch	10.00	19.00	190.00	23.02	1996 A	16.00	1.00	3,670
4 1 WD	Wood Deck	10.00	35.00	350.00	19.35	1996 A	16.00	1.00	5,690

LAND LUSE DESC	ZONING	UNITS TP	PRICE	ADJUSTMENT	CODE/FACTOR	VALUE
1 CJ County Road Cat.	MA1	5.08 R	14030.81	.00	.00 TW 1.00	71,280