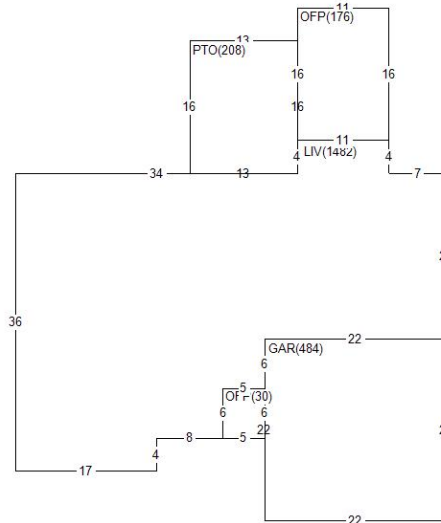


LOT 340 NEW VALMEYER PHASE 5

VALMEYER IL 62295
Site Address: 000219 STONEHILL RIDGE

BLDG # 1
 Style/Stories 1.0 One Story
 Quality/Design C C-Average
 Building Use 0100 Single Fami
 Exterior Wall F Frame
 WALL % 100 100%
 Exterior Wall 1
 WALL 1% 000 N/A
 Crawl Sp. Adj
 Slab Adjustment
 Basement
 Combination
 Attic Area
 Heat/AC Adj AC Central Air
 Comb Ht/AC Adj
 Fireplace 03 C-Fireplace
 Extra Fireplace 00 N/A
 Res Fixtures 0009 09 Fixtures
 Garage F Frame Garag
 Integral Garage
 Remodeling Adj 01 No Remodeli
 Actual Year Blt 2000
 Effect Year Blt 2000
 Cond/Desir/Util A
 Township Multpl 06 TOWNSHIP #0
 Funct. Obs. % 000000
 Economic Obs. % 000000
 Observed Cond % 000000
 Obs. Cond. Code
 Combination A
 Comb A Ht/AC
 Unfin Low/Level
 Full Basement F Full Baseme
 # Of Bedrooms 03 Three Bedro
 Sq.Ft.Grđ Area 1482



Land Value 26,760
 Misc Value 6,980
 Bldg Value 130,880
 Total Value 164,620
 Value By CAMA

RCN 148,727
 Pct Good 0.8800
 Obsol/Observed 0.0000
 Building Value 130,880

DOCUMENT #	DATE	QS	SALE PRICE
	0900	Q	22,505
	0900	Q	22,505

PERMIT NO	TYPE	DATE	AMOUNT
R1-12-01	07	0212	
R1-00-12	01	0900	

Appraiser KS K. Sondag
 Appr Date 07/08/22
 Use Code 0040 Imp Res
 NBHD 62000.10 VLMYR 1.0 STORY
 L100 M100 B118

AREA	FLAT	EFF%	E/AREA	ACT%	A/AREA	EA/AA	HEATED
GAR	484	1.00	484	1.00	484	484	
OFF	206	1.00	206	1.00	206	206	
PTO	208	1.00	208	1.00	208	208	
LIV	1482	1.00	1482	1.00	1482	1482	1482
CONDR	630	1.00	630	1.00	630	630	

MISC BLDG CODE	DESC	LENGTH	WIDTH	UNITS	ADJ PRICE	EYB DT PCT	ADJUSTMENT	VALUE
1 1 CONDR	Concrete Drivewa	35.00	18.00	630.00	3.65	2000 A 12.00	1.00	2,020
2 1 SALV	Salvage Structur	.00	.00	1.00	300.00	00 OD 0.00	1.00	300
3 1 PTO	Concrete Patio	16.00	13.00	208.00	3.65	2000 A 12.00	1.00	670
4 1 OFF	Open Frame Porch	16.00	11.00	176.00	23.40	2012 A 3.00	1.00	3,990

LAND LUSE DESC	ZONING	UNITS TP	PRICE	ADJUSTMENT	CODE/FACTOR	VALUE
1 6200 VALMEYER	VR1	1.00 ST	26760.00	.00	.00 TW 1.00	26,760