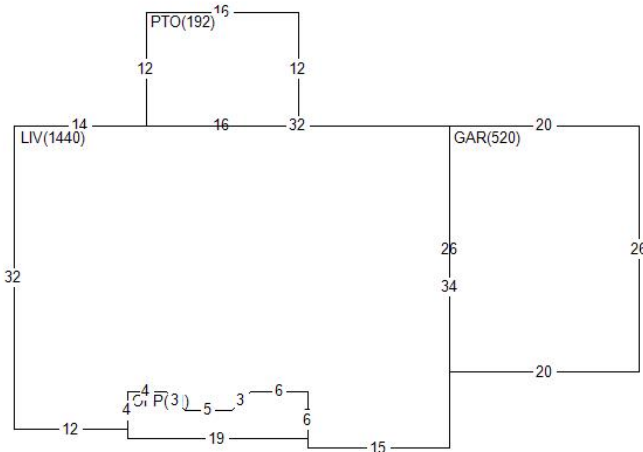


LOT 125 NEW VALMEYER PHASE 2

VALMEYER IL 62295  
 Site Address: 000309 NELLIES RIDGE

BLDG # 1  
 Style/Stories 1.0 One Story  
 Quality/Design C C-Average  
 Building Use 0100 Single Fami  
 Exterior Wall F Frame  
 WALL % 100 100%  
 Exterior Wall 1  
 WALL 1% 000 N/A  
 Crawl Sp. Adj C Crawl  
 Slab Adjustment  
 Basement RC C-Rec Room  
 Combination  
 Attic Area  
 Heat/AC Adj AC Central Air  
 Comb Ht/AC Adj  
 Fireplace 00 N/A  
 Extra Fireplace 00 N/A  
 Res Fixtures 0012 12 Fixtures  
 Garage F Frame Garag  
 Integral Garage  
 Remodeling Adj 01 No Remodeli  
 Actual Year Blt 2001  
 Effect Year Blt 2001  
 Cond/Desir/Util A  
 Township Multpl 09 Res CDU - A  
 Funct. Obs. % TOWNSHIP #0  
 Economic Obs. %  
 Observed Cond %  
 Obs. Cond. Code  
 Combination A  
 Comb A Ht/AC  
 Unfin Low/Level  
 Full Basement F Full Baseme  
 # Of Bedrooms 03 Three Bedro  
 Sq.Ft.Grđ Area 1440



Land Value 26,760  
 Misc Value 9,570  
 Bldg Value 134,840  
 Total Value 171,170  
 Value By CAMA

RCN 153,223  
 Pct Good 0.8800  
 Obsol/Observed 0.0000  
 Building Value 134,840

DOCUMENT #	DATE	QS	SALE PRICE
314791	0407	Q	188,000
	0701	Q	18,500
	1096	Q	18,233

PERMIT NO	TYPE	DATE	AMOUNT
R1-03-56	08	1003	
R1-01-14	01	0701	

Appraiser KS K. Sondag  
 Appr Date 07/21/22  
 Use Code 0040 Imp Res  
 NBHD 62000.10 VLMYR 1.0 STORY  
 L100 M100 B118

AREA	FLAT	EFF% E/AREA	ACT% A/AREA	EA/AA HEATED
CONDR	820	1.00	820	820
BSMR	750	1.00	750	750
CRWL	14	1.00	14	14
OFF	81	1.00	81	81
GAR	520	1.00	520	520
PTO	192	1.00	192	192
LIV	1440	1.00	1440	1440

MISC BLDG CODE	DESC	LENGTH	WIDTH	UNITS	ADJ PRICE	EYB DT PCT	ADJUSTMENT	VALUE
1 1 BRVEN	Brick Veneer	.00	.00	344.00	14.65	2001 A 12.00	1.00	4,440
2 1 CONDR	Concrete Drivewa	.00	.00	820.00	3.65	2001 F 19.00	1.00	2,420
3 1 OFF	Open Frame Porch	.00	.00	81.00	29.26	2001 A 12.00	1.00	2,090
4 1 PTO	Concrete Patio	12.00	16.00	192.00	3.65	2001 A 12.00	1.00	620

LAND LUSE DESC	ZONING	UNITS TP	PRICE	ADJUSTMENT	CODE/FACTOR	VALUE
1 6200 VALMEYER	VR1	1.00 ST	26760.00	.00	.00 TW 1.00	26,760